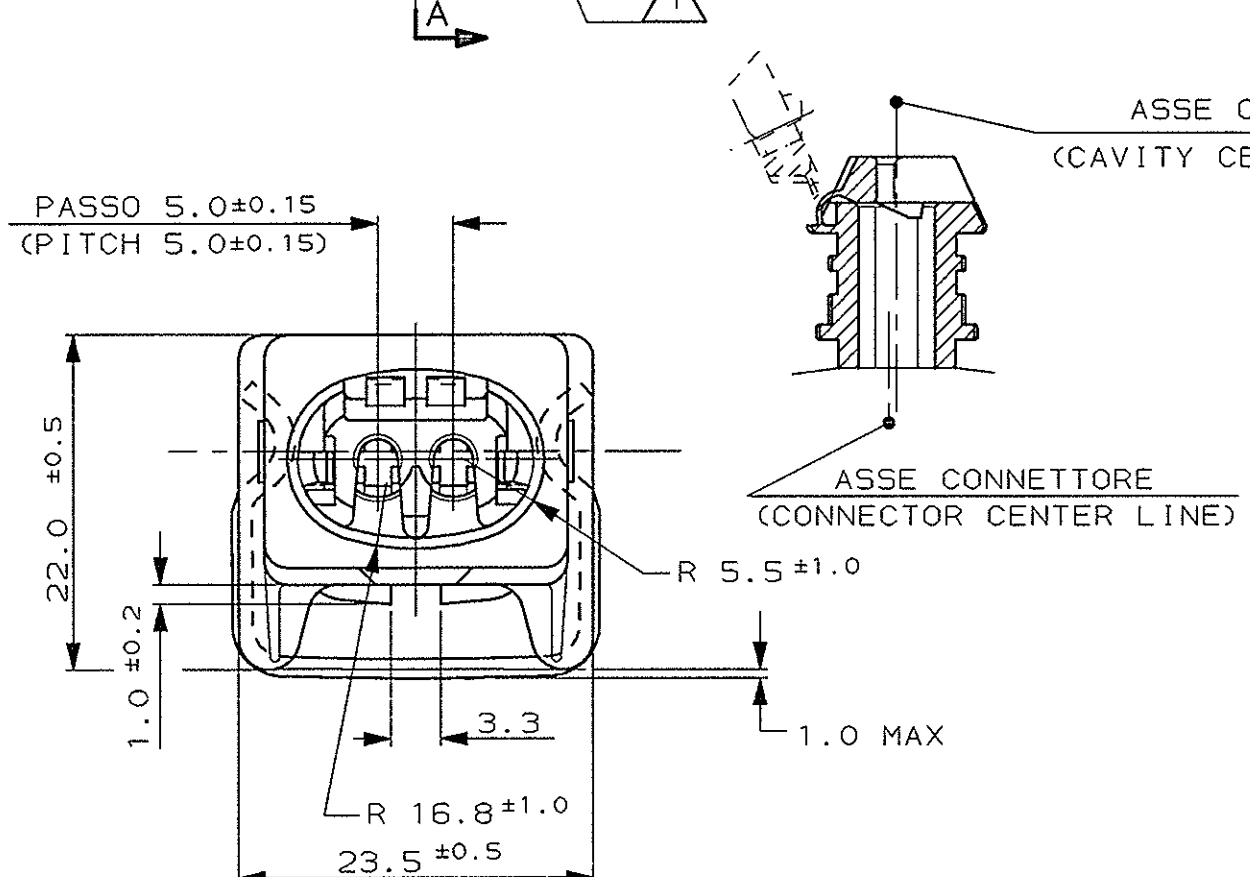
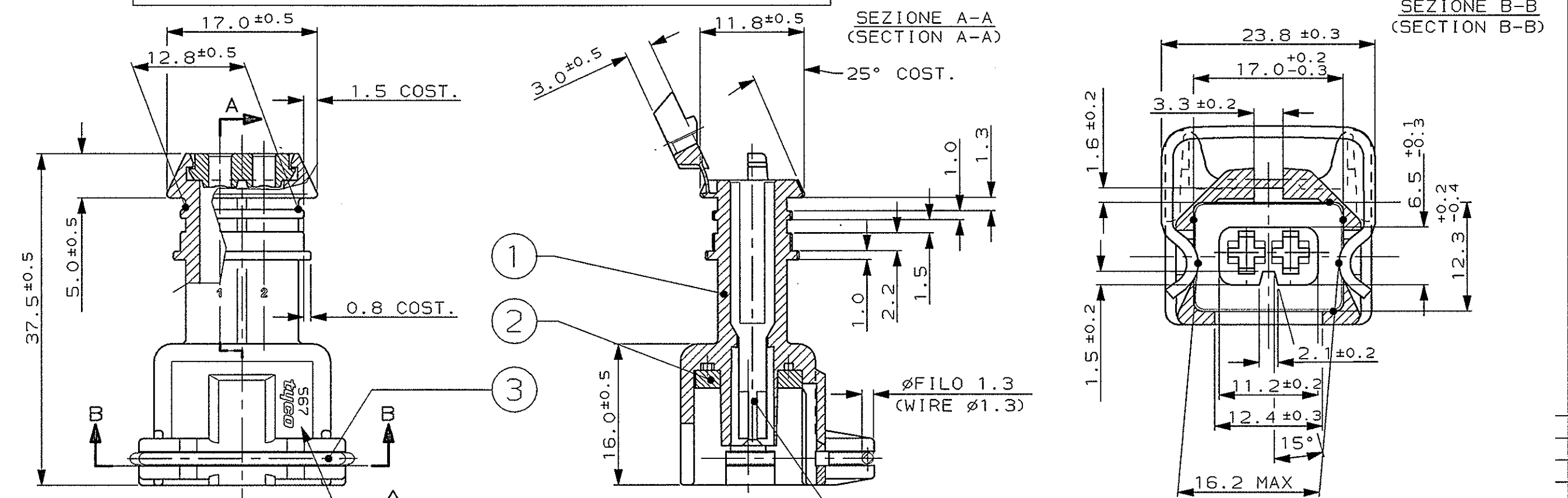


CONNETTORE TIPO A (CON MOLLA DI RITEGNO ESTERNA)  
CONNECTOR TYPE A (WITH EXTERNAL SPRING)

SCALA NON IMPEGNATIVA (DO NOT SCALE)  
DIMENSIONI IN (DIMENSIONS IN) mm METRIC  
PROIEZIONE EUROPEA (EUROPEAN PROJECTION)



TIP. CAVITA' PER TERMINALI AMP JPT P/N 929939-...  
OPPURE 929937-... E RELATIVI GOMMINI  
AMP P/N 828904-1, 828905-1, 282536-1.  
TAPPO CAVITA' P/N 828906-2  
(TYP. CAV. FOR JPT CONT. P/N 929939-... A/O 929937-... AND REL.  
SINGLE WIRE SEAL P/N 828904-1, 828905-1, 282536-1  
CAVITY PLUG P/N 828906-2)

NERO (BLACK)	2-282189-1				
ROSSO (RED)	282189-8				
GIALLO (YELLOW)	282189-7				
MARRONE (BROWN)	282189-6	3	\\\\\\\\\\\\	ACCIAIO INOX (STAINLESS STEEL)	
BLU (BLUE)	282189-5			MOLLA (SPRING)	
VERDE (GREEN)	282189-4	2	NATURALE (CLEAR)	GOMMA SILICONICA (SILICONE RUBBER)	
NATURALE (CLEAR)	282189-3			GUARNIZIONE (RUBBER GASKET)	
GRIGIO (GREY)	282189-2	1	\\\\\\\\\\\\	PA 6.6 C.VETRO (PA 6.6 G.F.)	
NERO (BLACK)	282189-1			BLOCCHETTO (HOUSING)	
COLORE (COLOR)	NUMERO PART. N° (PART. NO.)	N° (ITEM)	FINITURA / COLORE (FINISH / COLOUR)	MATERIALE (MATERIAL)	DESCRIZIONE (DESCRIPTION)

L3	REVISED (ECR-06-024211)	M.G.	28-11-2006	CUSTOMER DWG. FOR REFERENCE ONLY	DISEGNO PER CLIENTE SOLO PER RIFERIMENTO
L2	REVISED (ECR 05-012643)	M.G.	18-10-2005		
L1	REVISED FOR ET00-0080-98	M.P.	12-5-98	THIS DRAWING IS UNPUBLISHED - RELEASE FOR PUBLICATION 19	
L	AGGIOR. CON ET00-0221-96 REVISED FOR ET00-0221-96	A.F.	27-5-96	© COPYRIGHT 19 BY AMP INCORPORATED, HARRISBURG, PA. ALL INTERNATIONAL RIGHT RESERVED. AMP PRODUCTS MAY BE COVERED BY U.S. AND FOREIGN PATENT AND/OR PATENT PENDING	
G	AGGIOR. CON ET00-0108-95 REVISED PER ET00-0108-95	M.P.	11-5-95	TOLLERANZE: SE NON DIVERSAMENTE SPECIFICATO (TOLERANCES, UNLESS OTHERWISE SPECIFIED)	DIAM. ISOLANTE (INS. DIA. RANGE) 1.5-3.0 (REDUCED INS. CABLE)
F	AGG. FOGLIO 2 (ADDED SH.2)	R.M.	3-9-93	RANGO FILO (WIRE RANGE) 0.5-2.5 mm <sup>2</sup>	SCALA (SCALE) ***
E	IN PRODUZIONE (IN PRODUCTION)	R.M.	13-10-92	ANGOLI (ANGLES) ± 2°	<b>tyco Electronics</b> AMP ITALIA S.p.A. Corso F.lli Cervi, 15 COLLEGGNO (TORINO)
D	AGGIORNATO (REVISED)	R.M.	17-3-92	DIS. NOV. 9. '90 (DR.)	
C	AGGIORNATO (REVISED)	R.M.	28-2-92	Ennio CINI	
B	AGGIORNATO (REVISED)	R.M.	30-8-91	CONT. 13 OCT 92 (CHK) C. TARTARI	
A	WAS P/N C-90-51265-10	C.E.	2.91	APP. (APP.)	
REV.	REVISIONI (REVISION RECORD)	DIS. (DR)	DATA (DATE)	LOC. SIZE (LOC. NO.) I A3 NUMERO (CONG. NO.) C-282189 REV. L3 FOGGIO (SHEET) 1 DI (OF) 2	

- 1 LOGO TYCO O, IN ALTERNATIVA, LOGO AMP (TYCO LOGO OR, IN ALTERNATIVE, AMP LOGO)
- 2 DIFFERISCE DAL ...-1 ESCLUSIVAMENTE PER IL PACKAGING (DIFFERS FROM ...-1 ONLY FOR PACKAGING DETAILS)
- 3) PER DIMENSIONI CONTROPARTE VEDERE FOGLIO 2 (FOR COUNTERPART DIMENSIONS SEE SHEET 2)

DISTRIBUZIONE (PRINT/DIST.)

